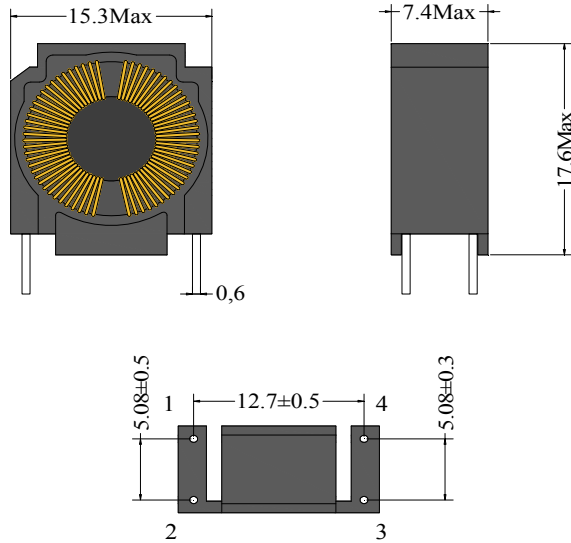




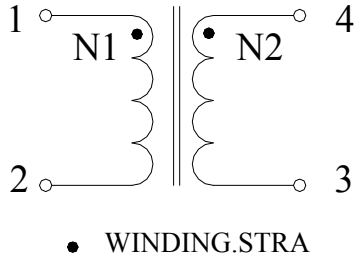
PZ-DMC1205V Series

Common Mode Power Line Choke
Web:<http://www.dgpinzhan.com>
E-mail:sales@dgpinzhan.com

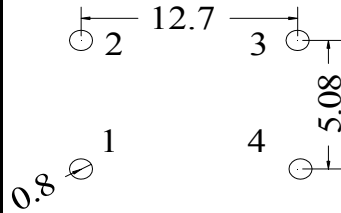
1. Dimensions: [mm]



2. Schematic:



3. PCB Layout Ref(mm)



4. General Properties:

It is recommended that the temperature of the component does not exceed +125°C under worst case conditions.

Storage Temperature: -20 °C up to +60 °C

Operating Temperature: -40 °C up to +85 °C

Temperature Rise < 55K.

Test conditions of Electrical Properties: +40°C, 33% RH if not specified differently.

5. Electrical Properties:

Part Code	Inductance: (mH) +50%/-30%	Test conditions	DC-R mΩ Max	Rated Current: mA	TDK Cord
PZ-DMC1205V-482N	4.8	10KHZ/0.1V	185.00	100	B82791K2102A040
PZ-DMC1205V-103N	10	10KHZ/0.1V	330.00	70	B82791K2701A040

*** Acceptable customers design custom**

Hi-pot:

1. Winding-core: 1500VAC/50HZ 3A 2S.

1. Winding-Winding: 2500VAC/50HZ 3A 2S.

Created

Tom

Checked

Justin

Type

DIP

Date

2022/3/22

Version

A001

Page

1